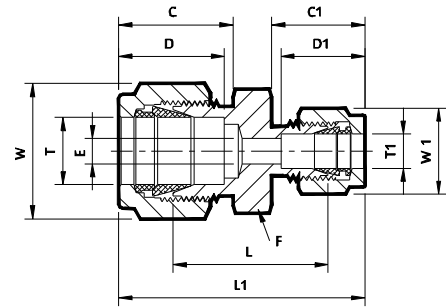
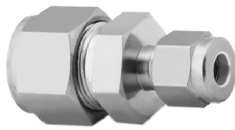


2.8 Reducer Union

01. Fractional Tube x Fractional Tube

Material - **SS 304 | SS 316**

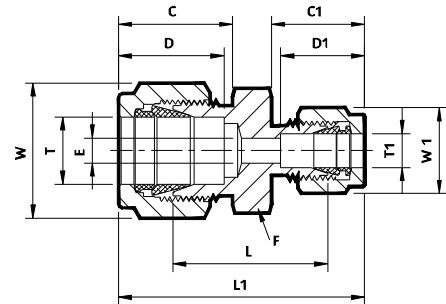
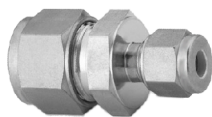


Sr. No.	TUBE OD Ø T	TUBE OD Ø T1	Ref. Part No.		ØE	D	C	D1	C1	L	L1	Body Hex F	Nut Hex W	Nut Hex W1
	(Inch)	(Inch)	SS 304	SS 316										
			RUD4	RUD6	Dimensions in Inches									
1	1/4 x 1/8		4RUD2x4	4RUD2x6	0.09	0.60	0.70	0.50	0.60	0.97	1.52	9/16	9/16	7/16
2	5/16 x 1/4		5RUD4x4	5RUD4x6	0.19	0.64	0.73	0.60	0.70	1.08	1.66	5/8	5/8	9/16
3	3/8 x 1/4		6RUD4x4	6RUD4x6	0.19	0.66	0.76	0.60	0.70	1.12	1.70	11/16	11/16	9/16
4	3/8 x 5/16		6RUD5x4	6RUD5x6	0.25			0.64	0.73	1.16	1.74	11/16		5/8
5	1/2 x 1/4		8RUD4x4	8RUD4x6	0.19	0.90	0.86	0.60	0.70	1.16	1.85	7/8	7/8	9/16
6	1/2 x 3/8		8RUD6x4	8RUD6x6	0.28			0.66	0.76	1.22	1.91	7/8		11/16
7	5/8 x 1/2		10RUD8x4	10RUD8x6	0.41	0.96	0.86	0.90	0.86	1.25	2.05	1	1	7/8
8	3/4 x 1/2		12RUD8x4	12RUD8x6	0.41	0.96	0.86	0.90	0.86	1.31	2.11	1.1/16	1.1/8	7/8
9	1 x 1/2		16RUD8x4	16RUD8x6	0.41	1.23	1.04	0.90	0.86	1.50	2.38	1.3/8	1.1/2	7/8
10	1 x 3/4		16RUD12x4	16RUD12x6	0.62			0.96	0.86	1.50	2.38	1.3/8		1.1/8

- NOTE : ① The E Dimension is the minimum opening.
② Dimension L1, C, D, C1, D1 is shown in the finger-tight position.

02. Metric Tube x Metric Tube

Material - **SS 304 | SS 316**



Sr. No.	TUBE OD Ø T	TUBE OD Ø T1	Ref. Part No.		ØE	D	C	D1	C1	L	L1	Body Hex F	Nut Hex W	Nut Hex W1
	(mm)	(mm)	SS 304	SS 316										
			MRUD4	MRUD6	Dimensions in Millimetres									
1	8 x 6		8MRUD6Mx4	8MRUD6Mx6	4.8	16.2	18.6	15.3	17.7	27.4	42.3	16	16	14.2
2	10 x 8		10MRUD8Mx4	10MRUD8Mx6	6.4	17.2	19.5	16.2	18.6	30.0	45.1	19	19	16
3	12 x 6		12MRUD6Mx4	12MRUD6Mx6	4.8	22.8	22.0	15.3	17.7	29.5	47.0	22.2	22.2	14.2
4	12 x 8		12MRUD8Mx4	12MRUD8Mx6	6.4			16.2	18.6	30.2	47.8	22.2		16
5	12 x 10		12MRUD10Mx4	12MRUD10Mx6	7.9			17.2	19.5	31.0	48.7	22.2		19
6	16 x 12		16MRUD12Mx4	16MRUD12Mx6	9.5	24.4	22.0	22.8	22.0	31.8	52.0	25.4	25.4	22.2
7	25 x 18		25MRUD18Mx4	25MRUD18Mx6	15.1	31.6	26.5	24.4	22.0	38.6	61.0	35	38	30

- NOTE : ① The E Dimension is the minimum opening.
② Dimension L1, C, D, C1, D1 is shown in the finger-tight position.

All part numbers are proprietary of their respective owners, Dimensions are for reference only and are subject to change